

CURTAIN WALLS

Innovation to Unique facades

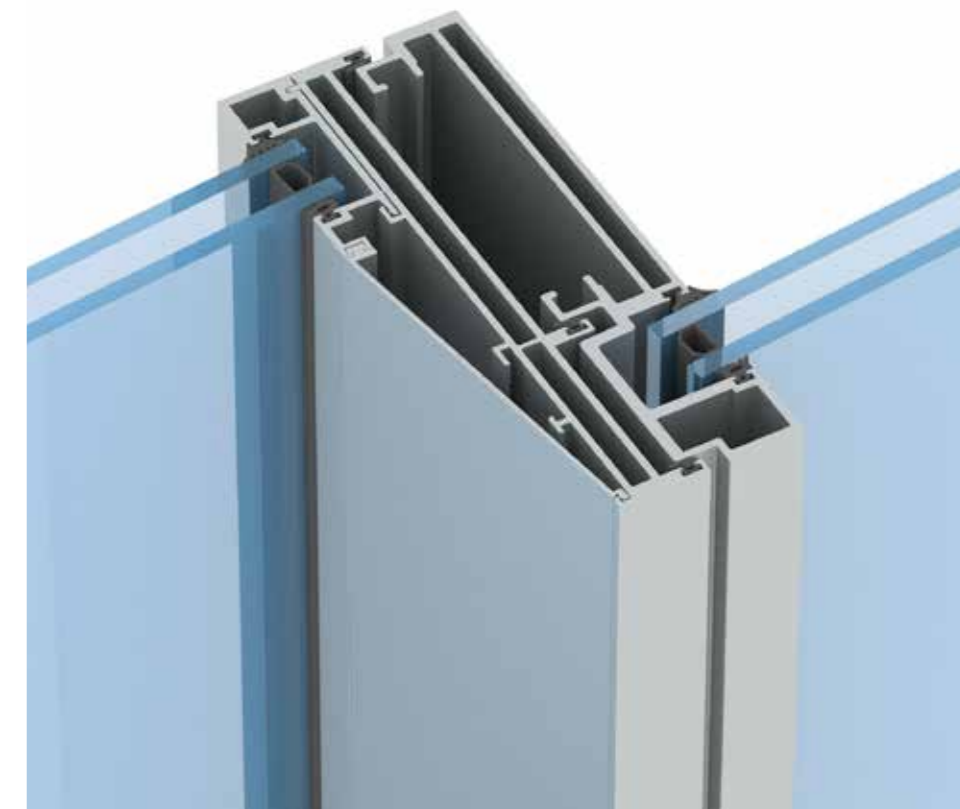


FACADE **ONE**

Innovative Facade Solutions



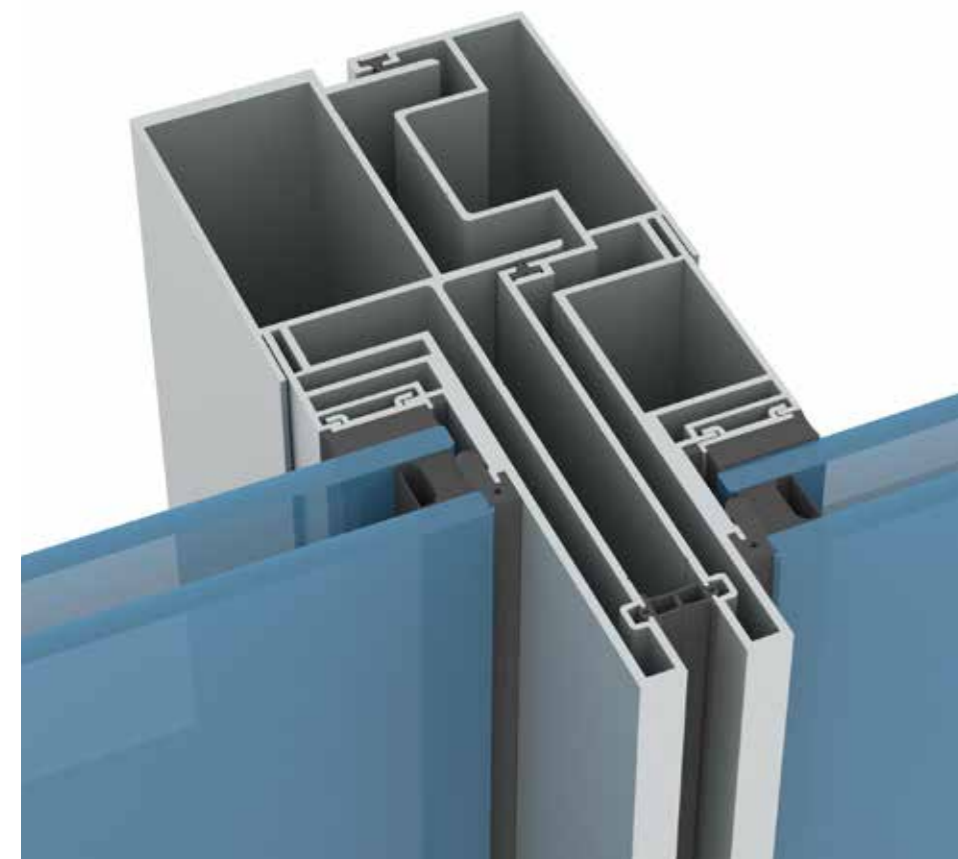
UNIQUE FACADES



MULLION DETAIL

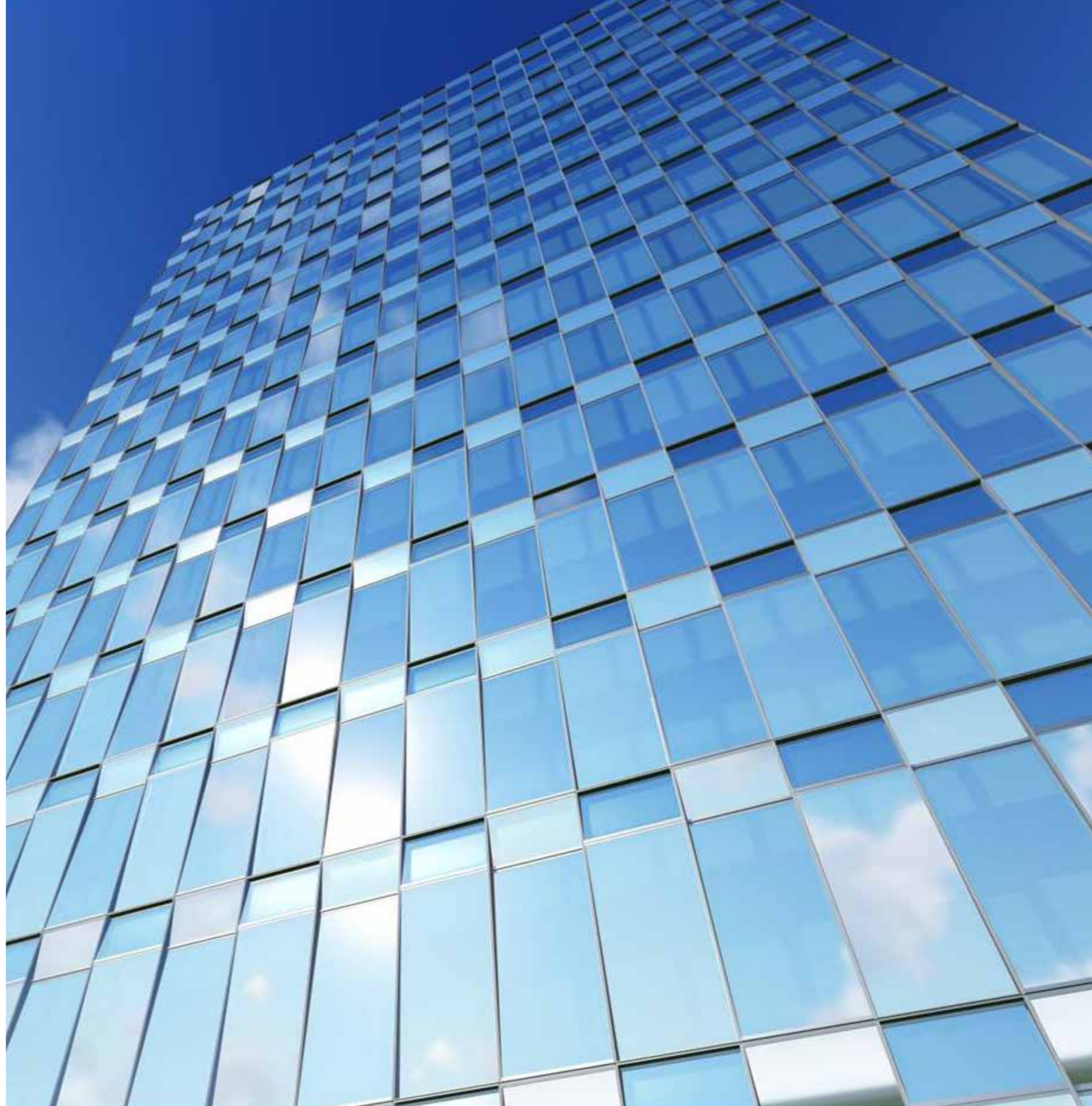
SKEWED CURTAIN WALL

UNIQUE FACADES



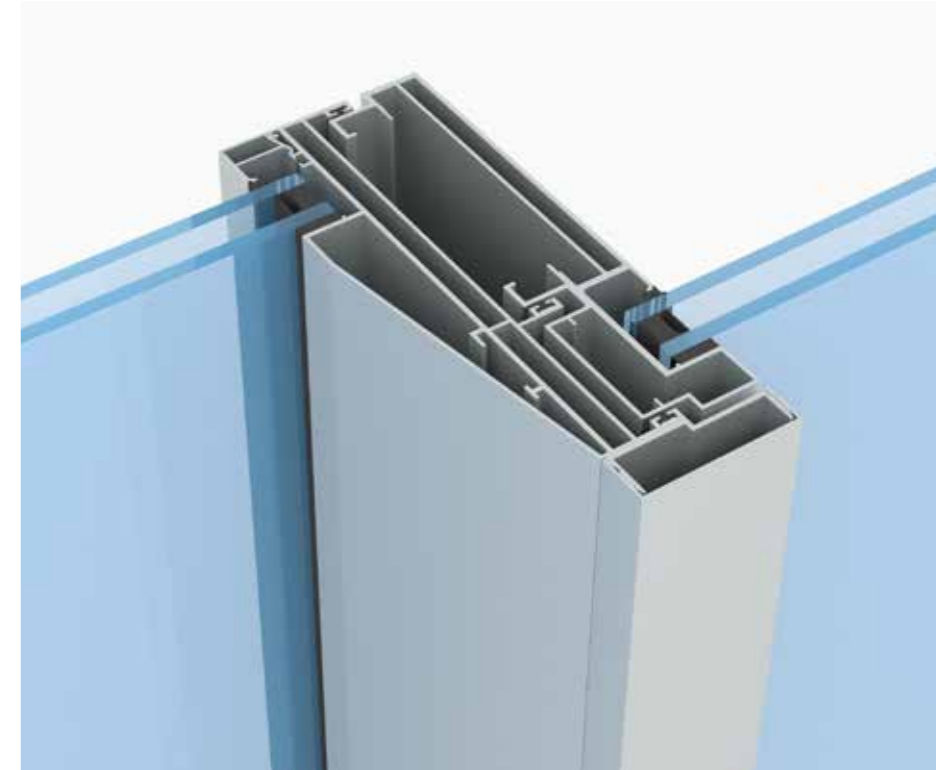
MULLION DETAIL

ARTICULATED CURTAIN WALL



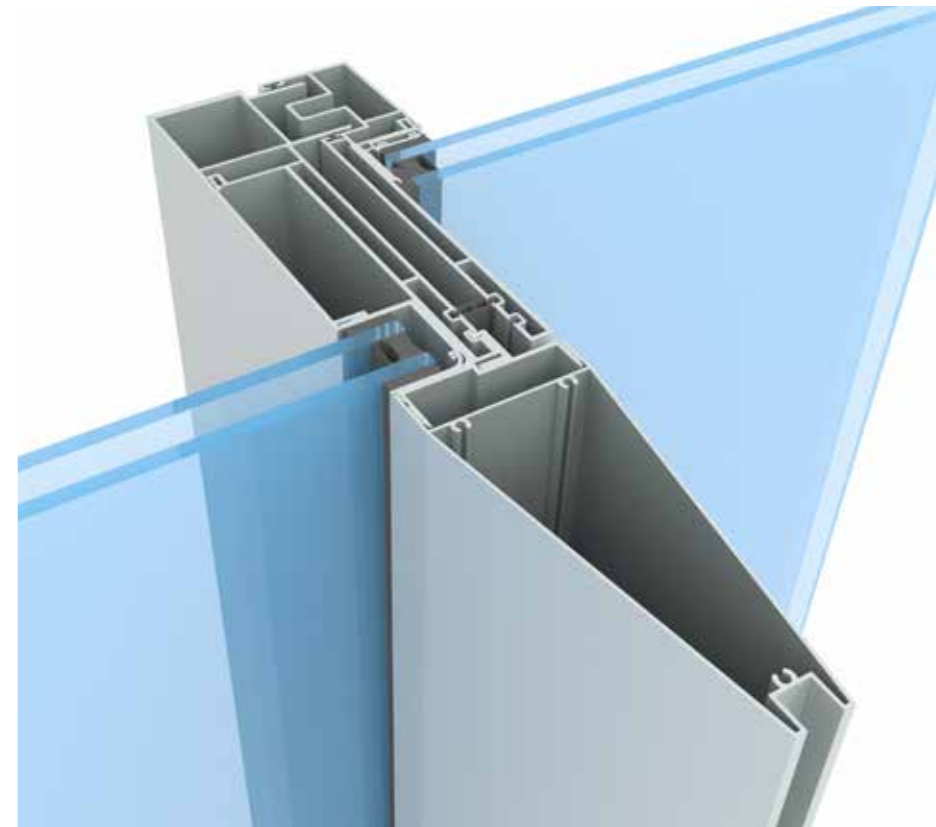


UNIQUE FACADES



MULLION DETAIL

OPTION 1

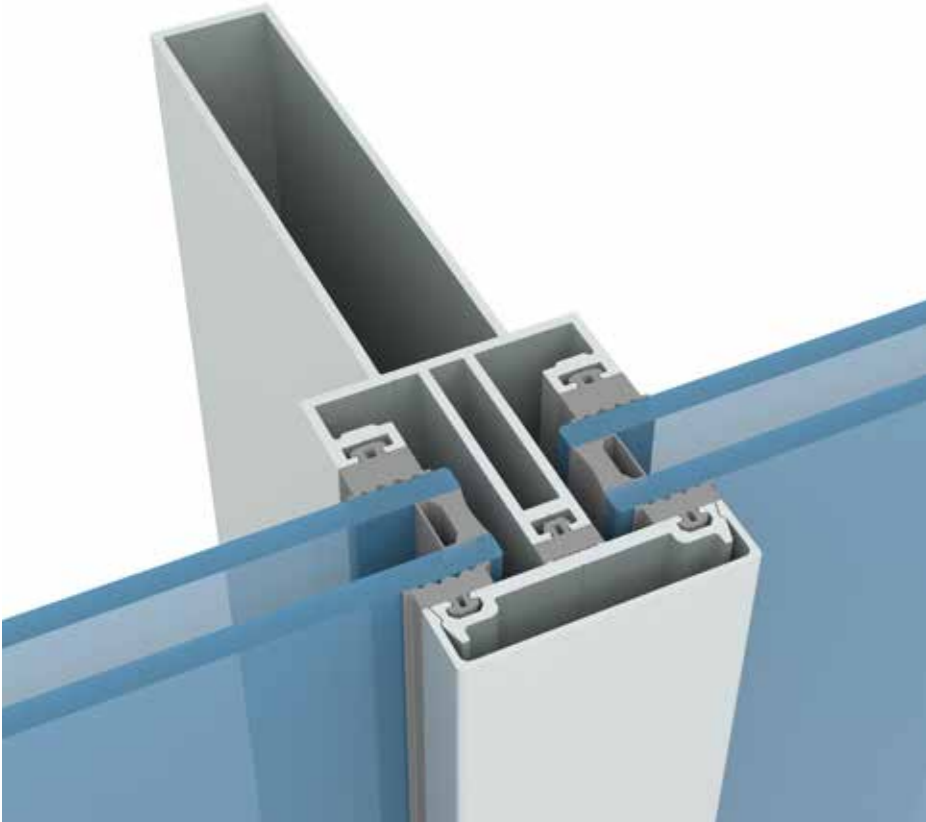


MULLION DETAIL

OPTION 2

OFFSET CURTAIN WALL

UNIQUE FACADES



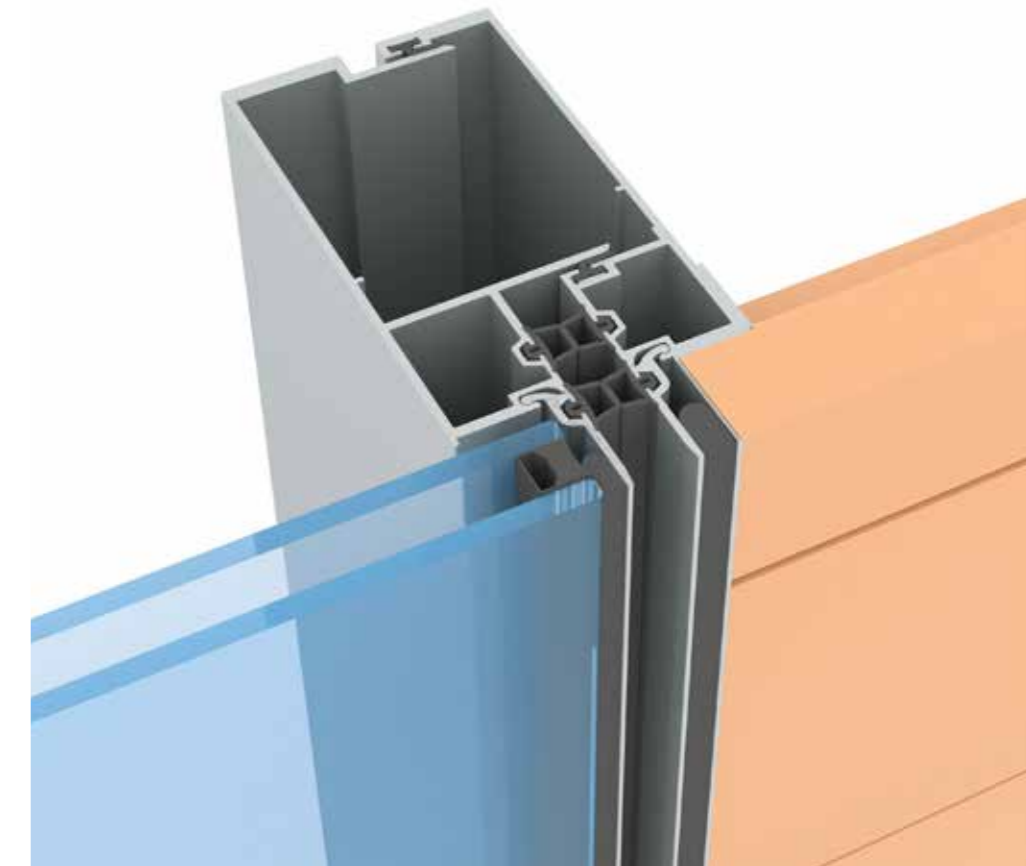
MULLION DETAIL

SLEEK CURTAIN WALL





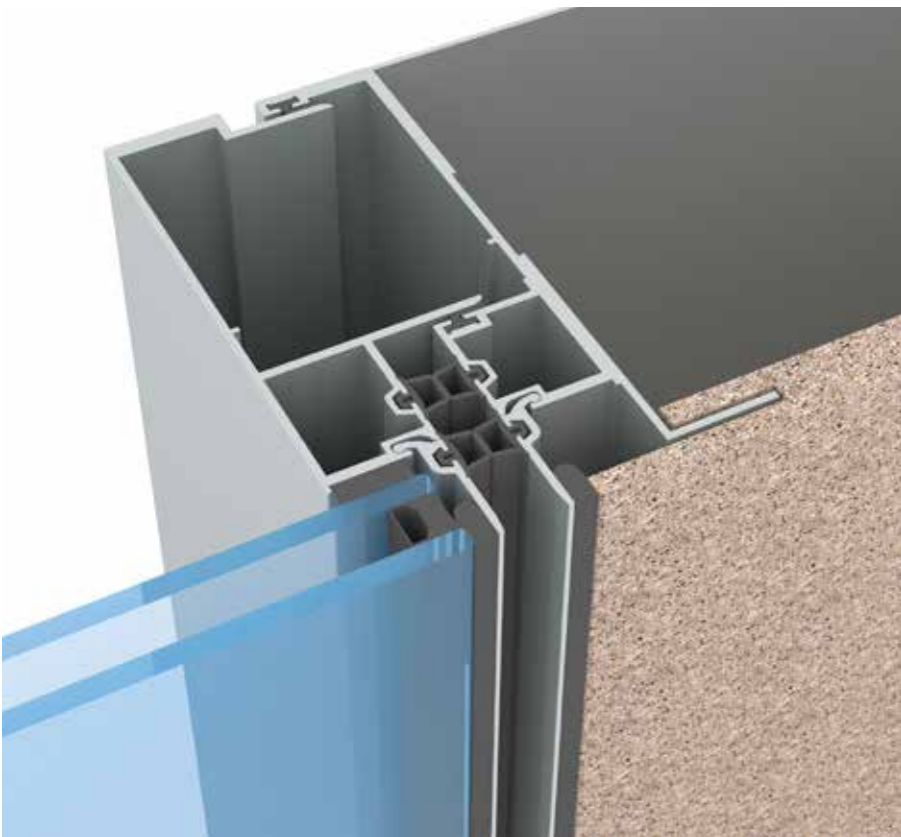
UNIQUE FACADES



MULLION DETAIL

CURTAIN WALL WITH SWISS CLAD

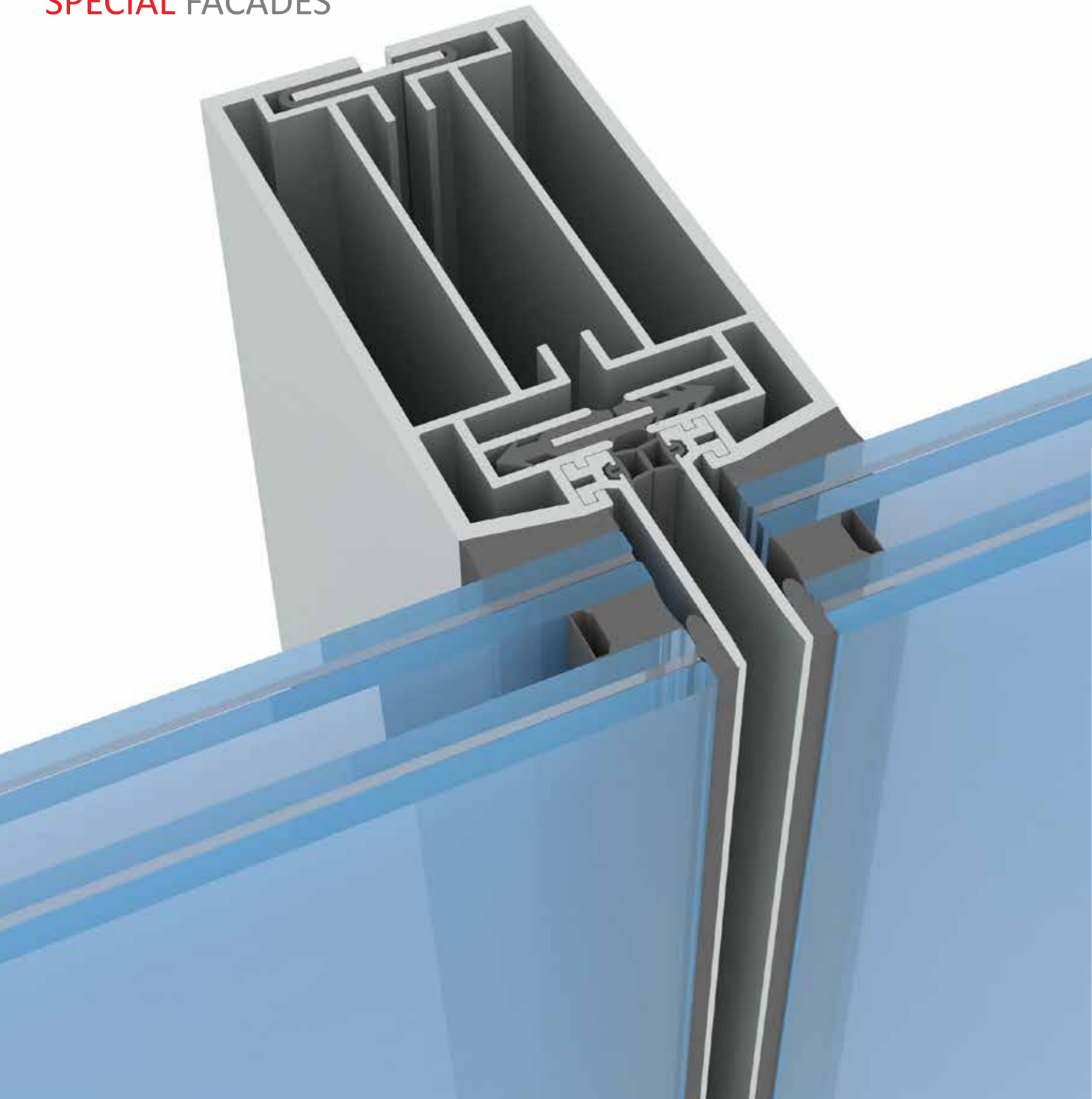
UNIQUE FACADES



MULLION DETAIL

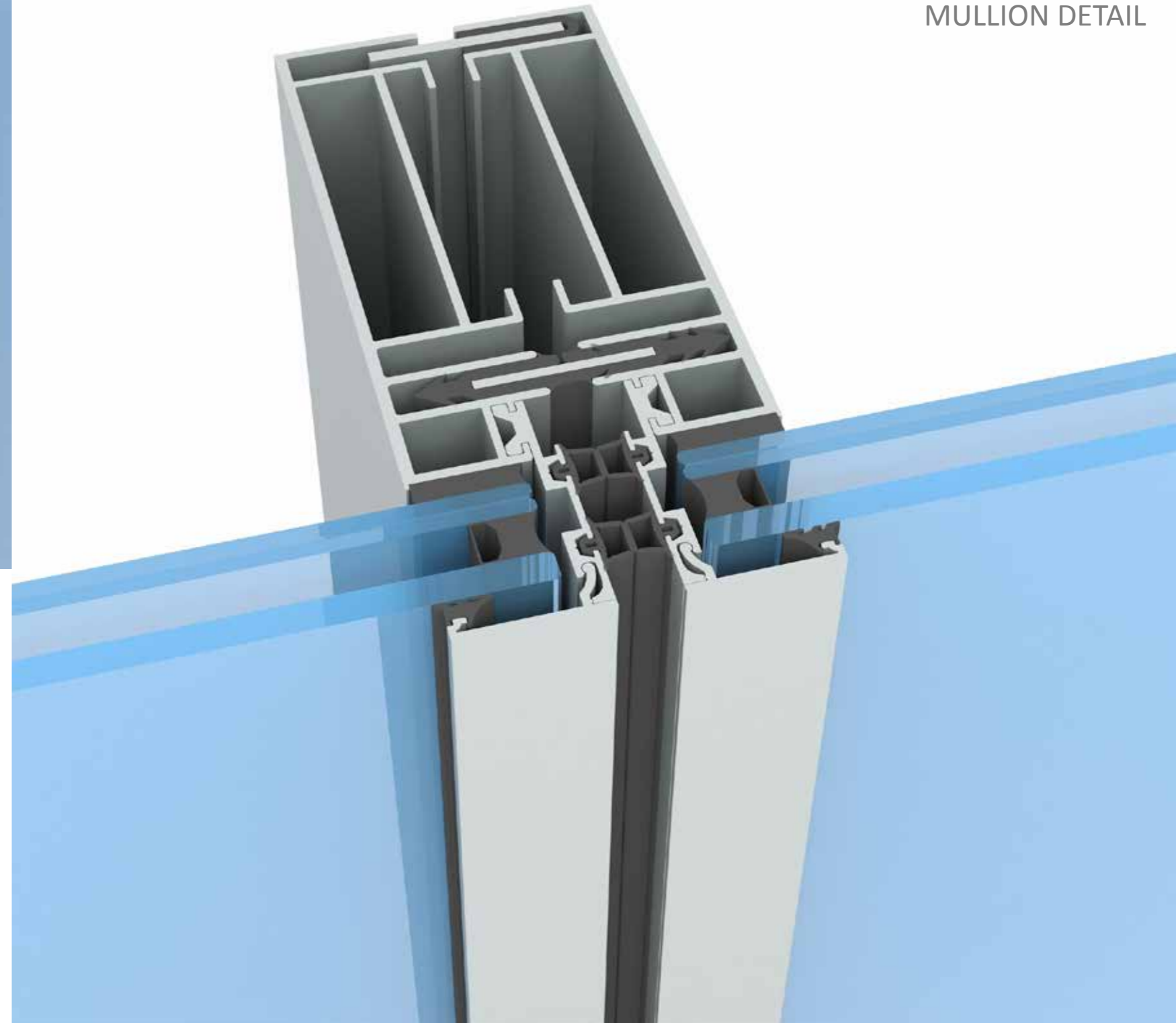
CURTAIN WALL WITH **STONE**

SPECIAL FACADES



EUROPEAN CURTAIN WALL
Mechanical Holding

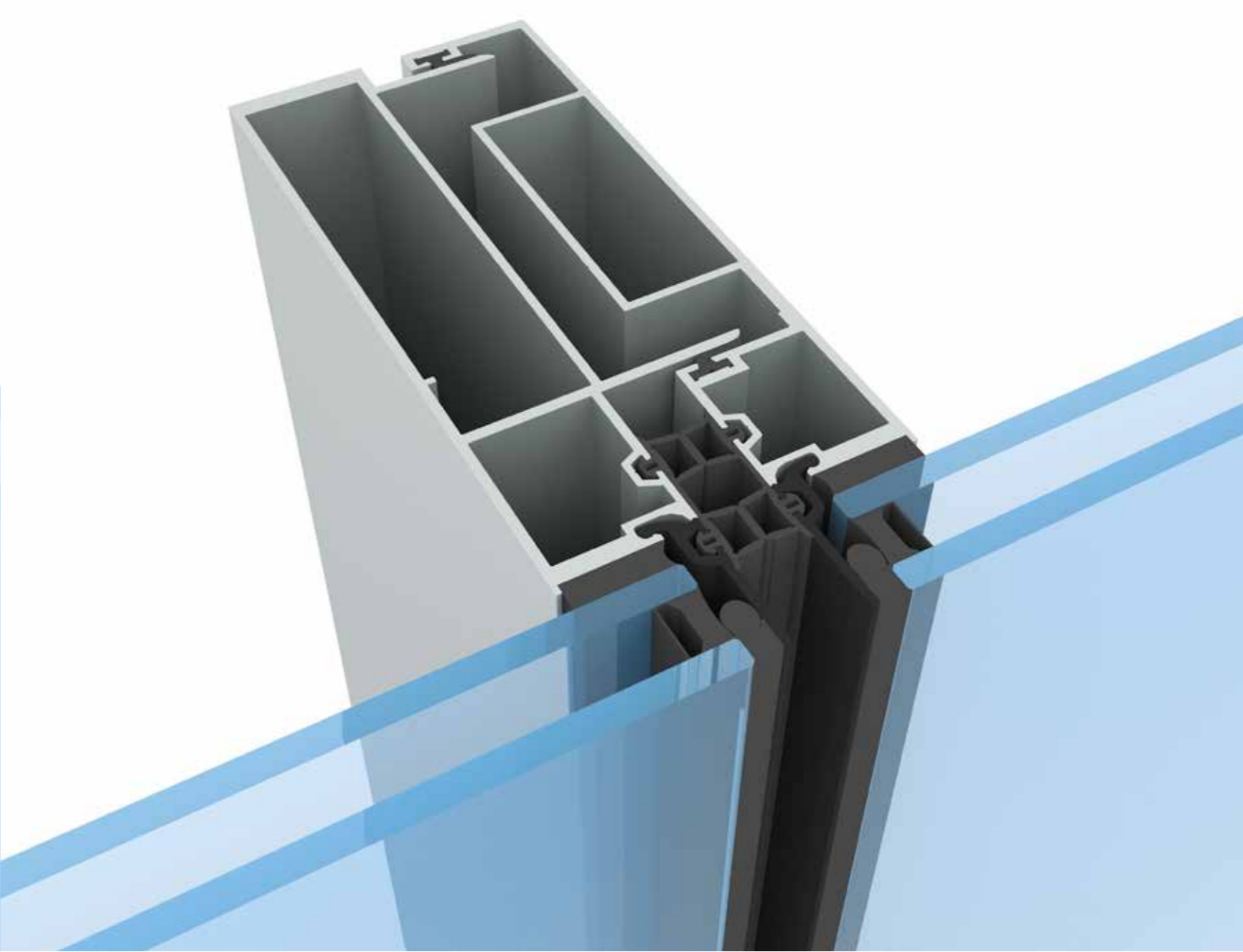
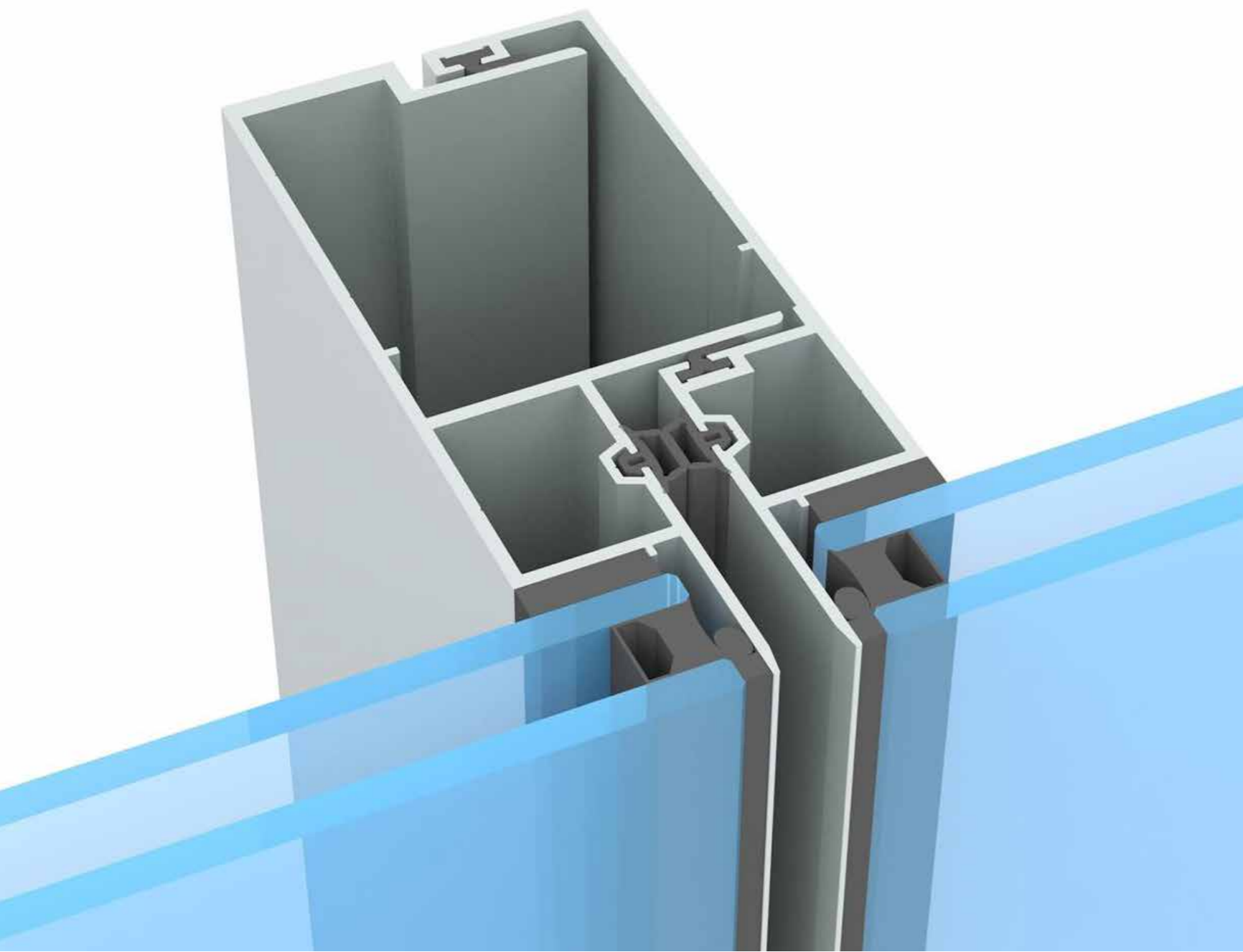
MULLION DETAIL



MULLION DETAIL

BLAST RESISTANCE CURTAIN WALL

Design blast resistance system to sustain upto **15 KPa**



MULLION DETAIL

MULLION DETAIL

Profile U Value – 15.6 W/m²K
Glass U Value – 1.7 W/m²K

Profile U Value – 3.9 W/m²K
Glass U Value – 1.7 W/m²K

OVERALL FAÇADE ASSEMBLY U VALUE – 2.55 W/m²K

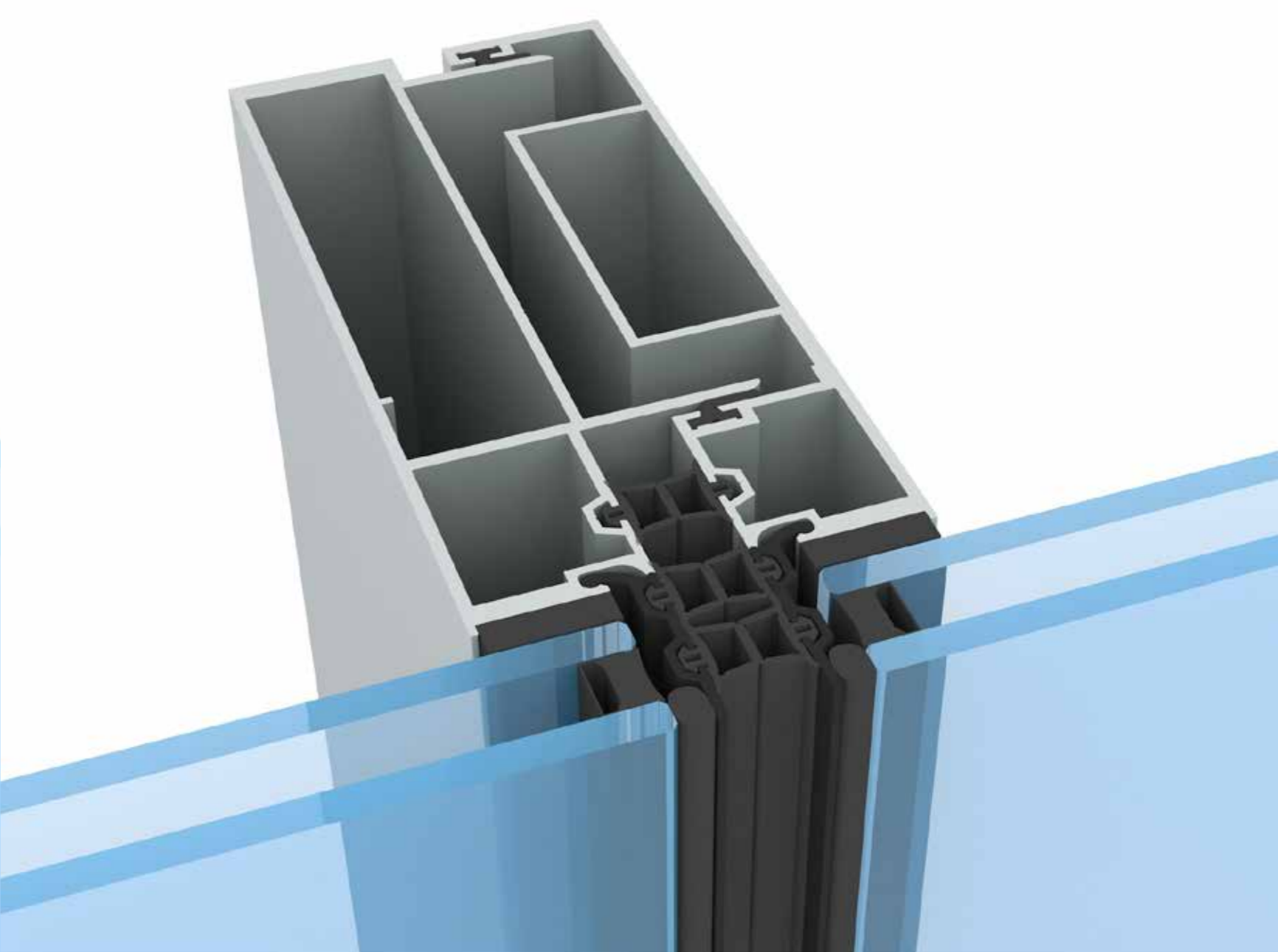
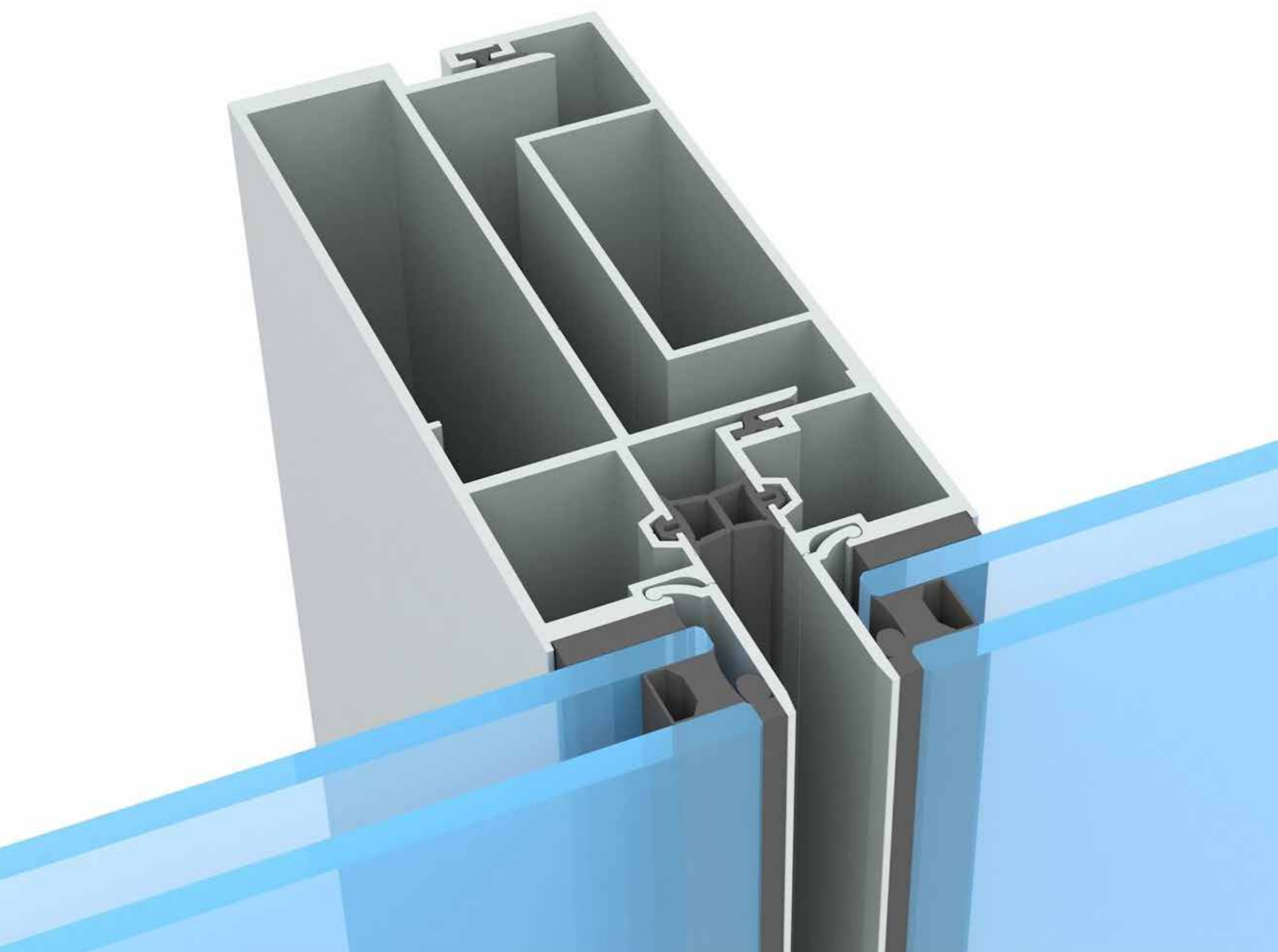
OVERALL FAÇADE ASSEMBLY U VALUE – 1.48 W/m²K

By using Non Thermal Break curtain wall system glass U value performance reduces by 50%.

By using Thermal Break curtain wall system glass U value performance improves by 13%.

Thermal Break profile **improves over all façade U value by 72 %** against non thermal break

ENERGY FACADES - NON-THERMAL VS THERMAL BREAK CURTAIN WALL



MULLION DETAIL

MULLION DETAIL

Profile U Value – 15.3 W/m²K
Glass U Value – 1.7 W/m²K

Profile U Value – 2.7 W/m²K
Glass U Value – 1.7 W/m²K

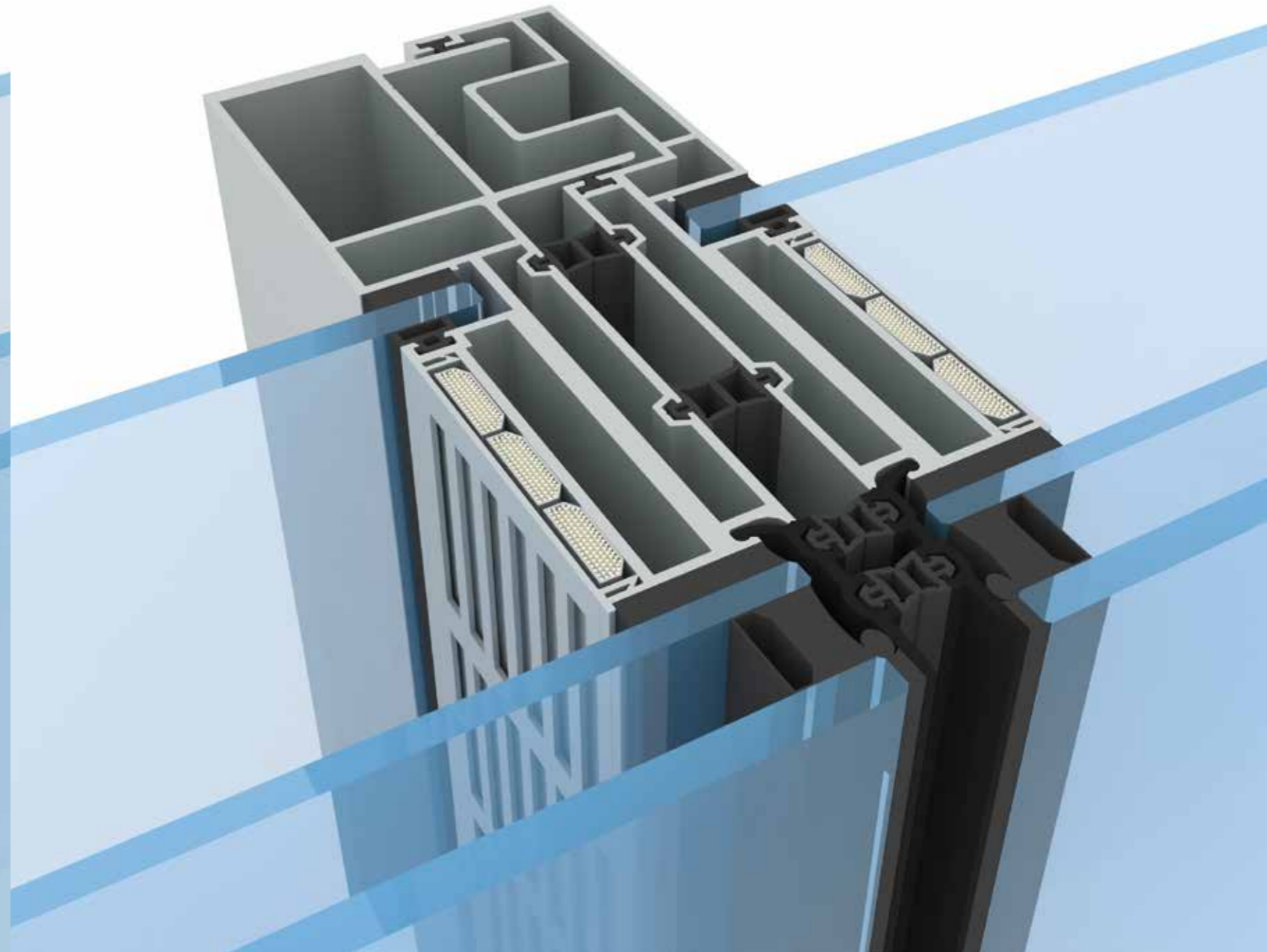
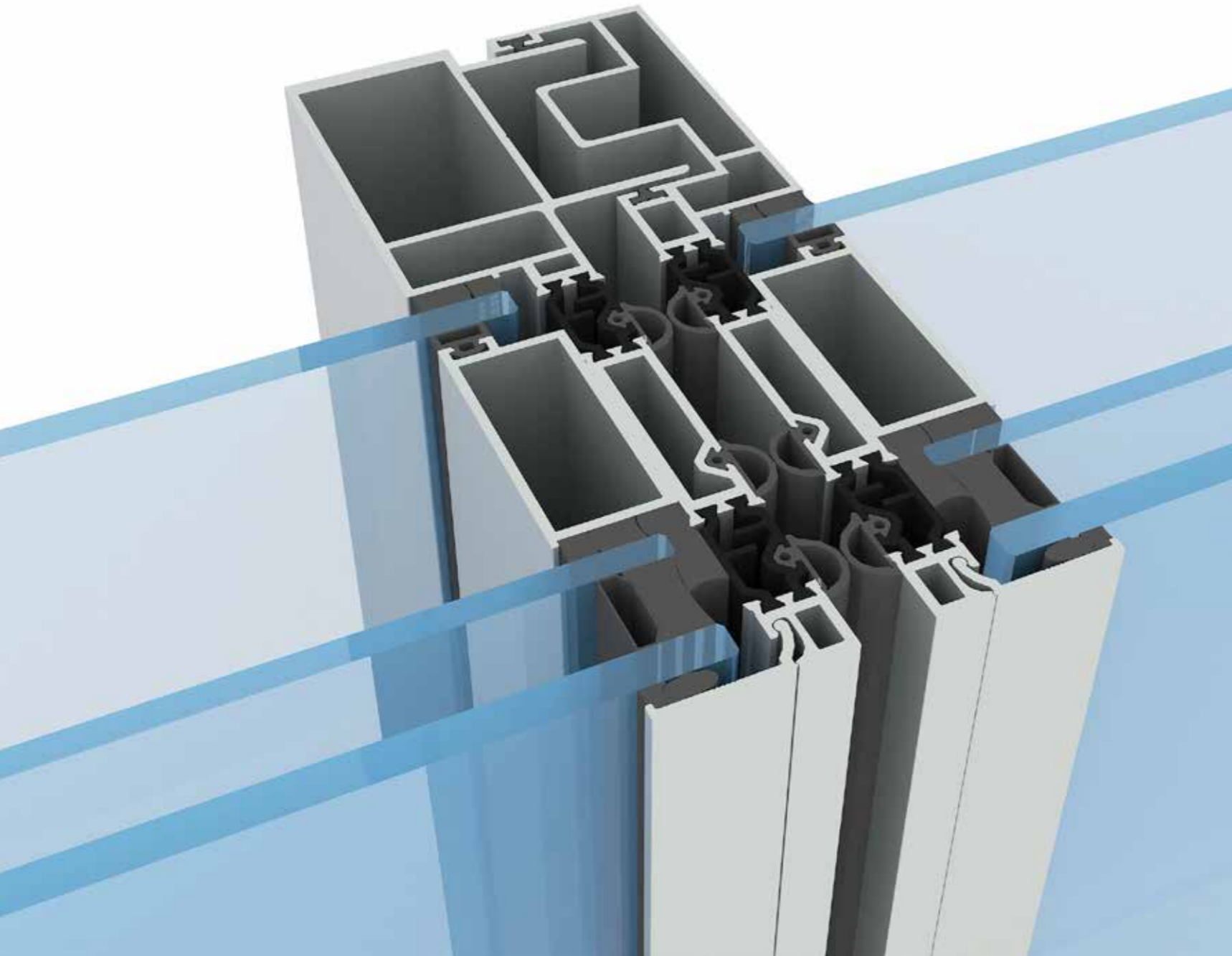
OVERALL FAÇADE ASSEMBLY U VALUE – 2.5 W/m²K

OVERALL FAÇADE ASSEMBLY U VALUE – 1.3 W/m²K

By using Non Thermal Break curtain wall system glass U value performance reduces by 50%.

By using Thermal Break curtain wall system glass U value performance improves by 24%.

Thermal Break profile **improves over all façade U value by 92 %** against non thermal break



MULLION DETAIL

MULLION DETAIL

Profile U Value – 3.9 W/m²K
Glass U Value – 1.1 W/m²K

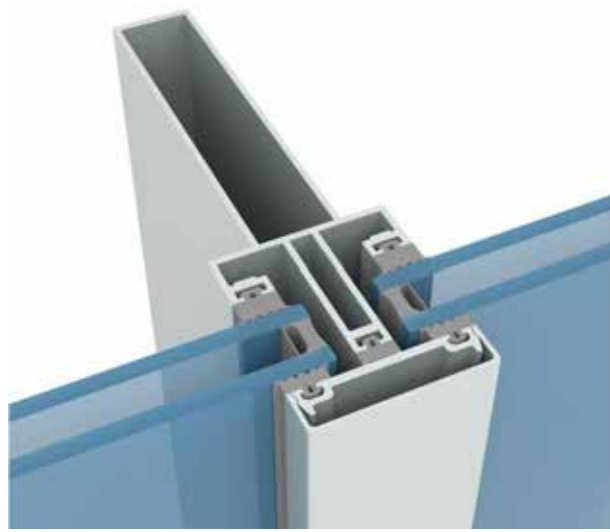
Profile U Value – 2.7 W/m²K
Glass U Value – 1.1 W/m²K

OVERALL FAÇADE ASSEMBLY U VALUE – 1.3 W/m²K

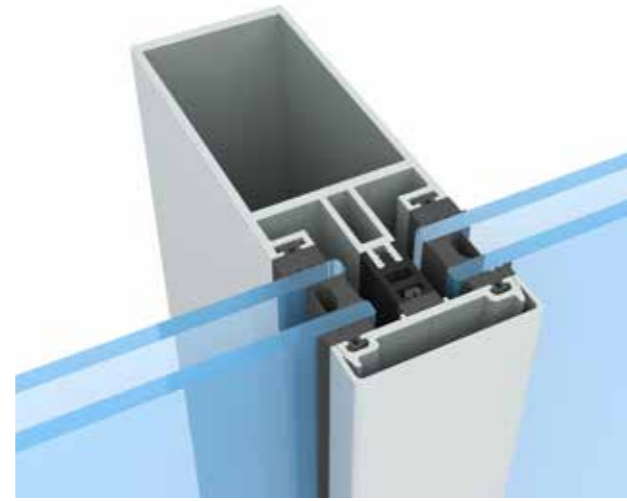
OVERALL FAÇADE ASSEMBLY U VALUE – 0.96 W/m²K

Improved U value performance hence energy saving.
Highly acoustic performance

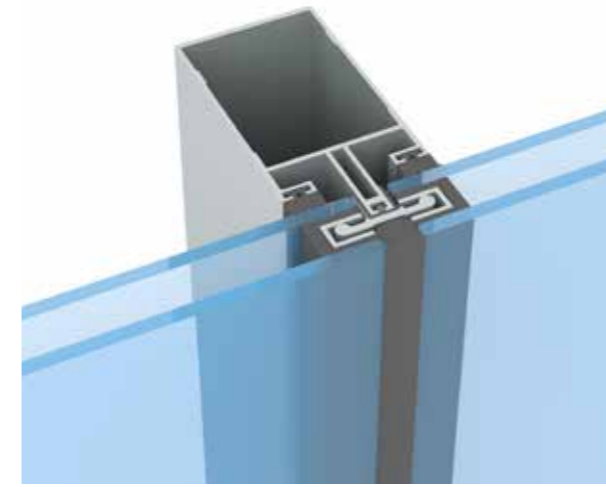
Thermal break double skin profile **improves over all façade U value by 166 %** against non thermal break
Highly acoustic performance



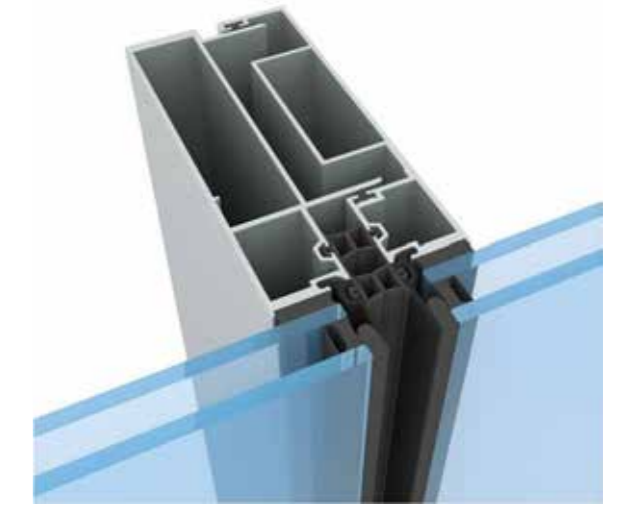
SLEEK CURTAIN WALL



THERMAL BREAK CAP CURTAIN WALL



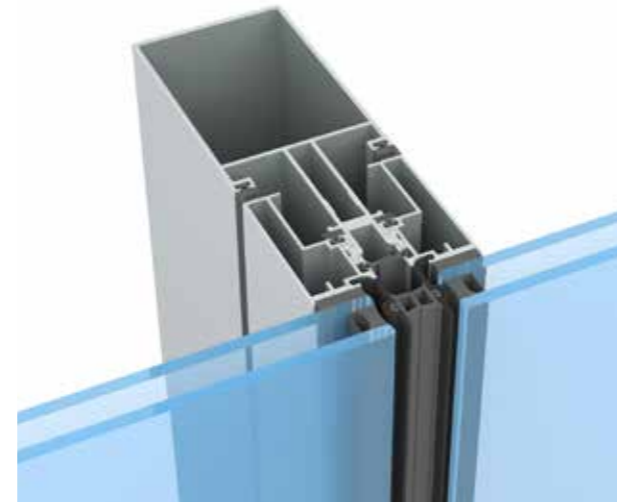
STICK CURTAIN WALL (TOGGLE SYSTEM)



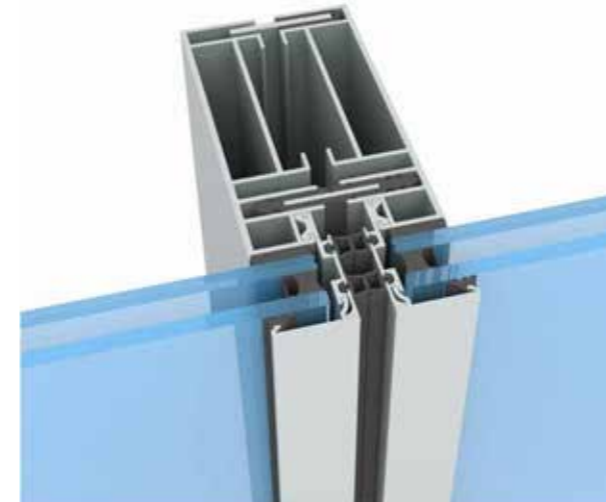
THERMAL BREAK UNITIZED CURTAIN WALL



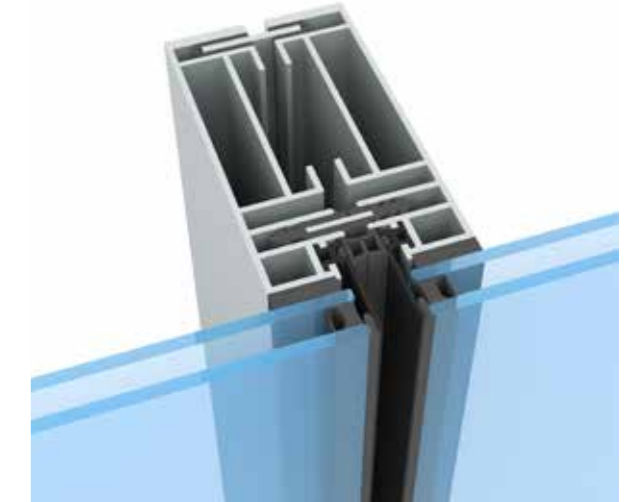
GASKET BASED UNITIZED CURTAIN WALL



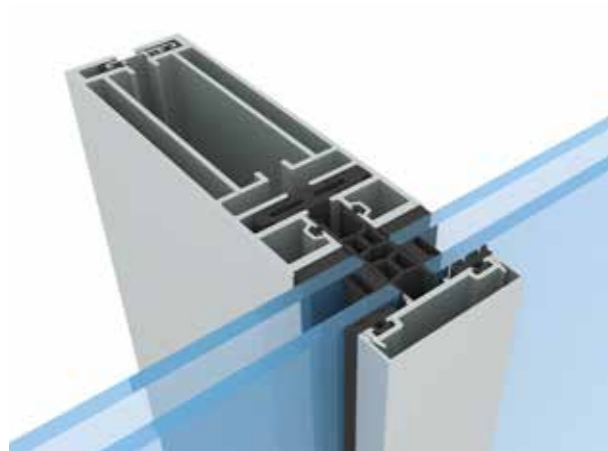
THERMAL BREAK SEMI UNITIZED CURTAIN WALL



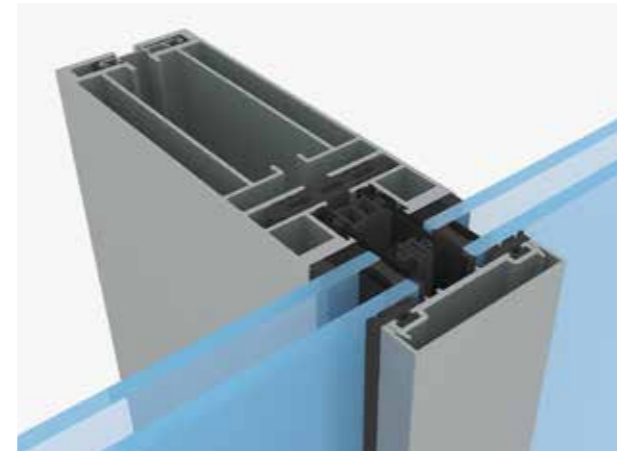
EUROPEAN CURTAIN WALL (MECHANICAL HOLDING)



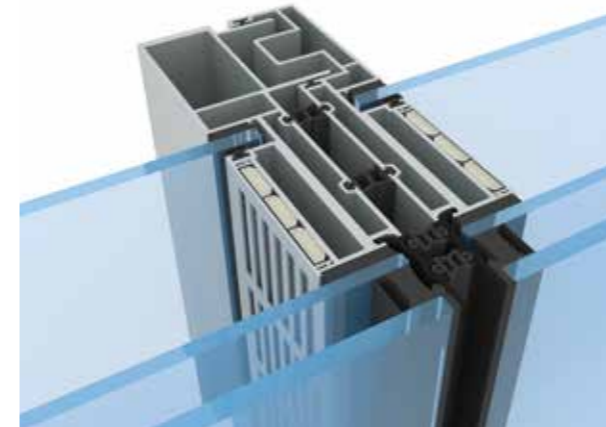
THERMAL BREAK EUROPEAN CURTAIN WALL



EUROPEAN GASKET BASED CURTAIN WALL (WITH CAPPING)



EUROPEAN THERMAL BREAK CURTAIN WALL (WITH CAPPING)



DOUBLE SKIN THERMAL BREAK CURTAIN WALL MULLION



DOUBLE SKIN THERMAL BREAK CURTAIN WALL TRANSOM

SPECIFICATION

MATERIAL

- Aluminium alloy 6063 and 6061

PERFORMANCE

- Wind Load 1 KPa – 15 KPa
- Water Performance 600 pa – 1500 pa
- Air Performance 300 pa – 600 pa
- Acoustic Performance 30 db - 50 db

HEIGHT

- All heights

INNOVATION & DIFFERENTIATION

- Innovation to drainage system
- Innovation to blast resistance (15 KPa)
- Innovation to thermal & Acoustic design

ALSO CUSTOMIZED AS PER YOUR REQUIREMENT

FINISHES

- PVDF – AAMA 2605 (35 Microns)
- SDF – AAMA 2604 (60-80 Microns)
- ANODISED – ASTM / BS (22 – 25 Microns)

SYSTEMS

- Conventional curtain wall (CCW)
- Semi-unitized curtain wall (SUCW)
- Unitized curtain wall (UCW)



FACADE **ONE**
Systems Pvt Ltd.